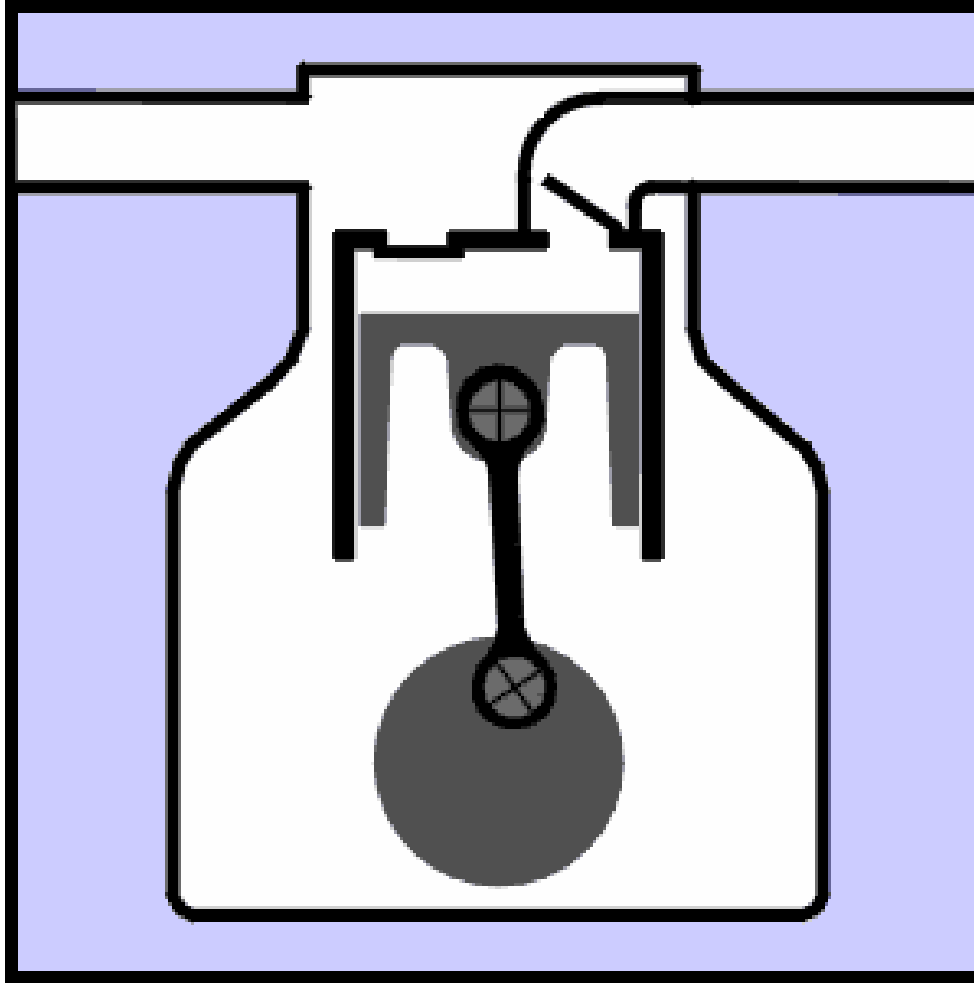
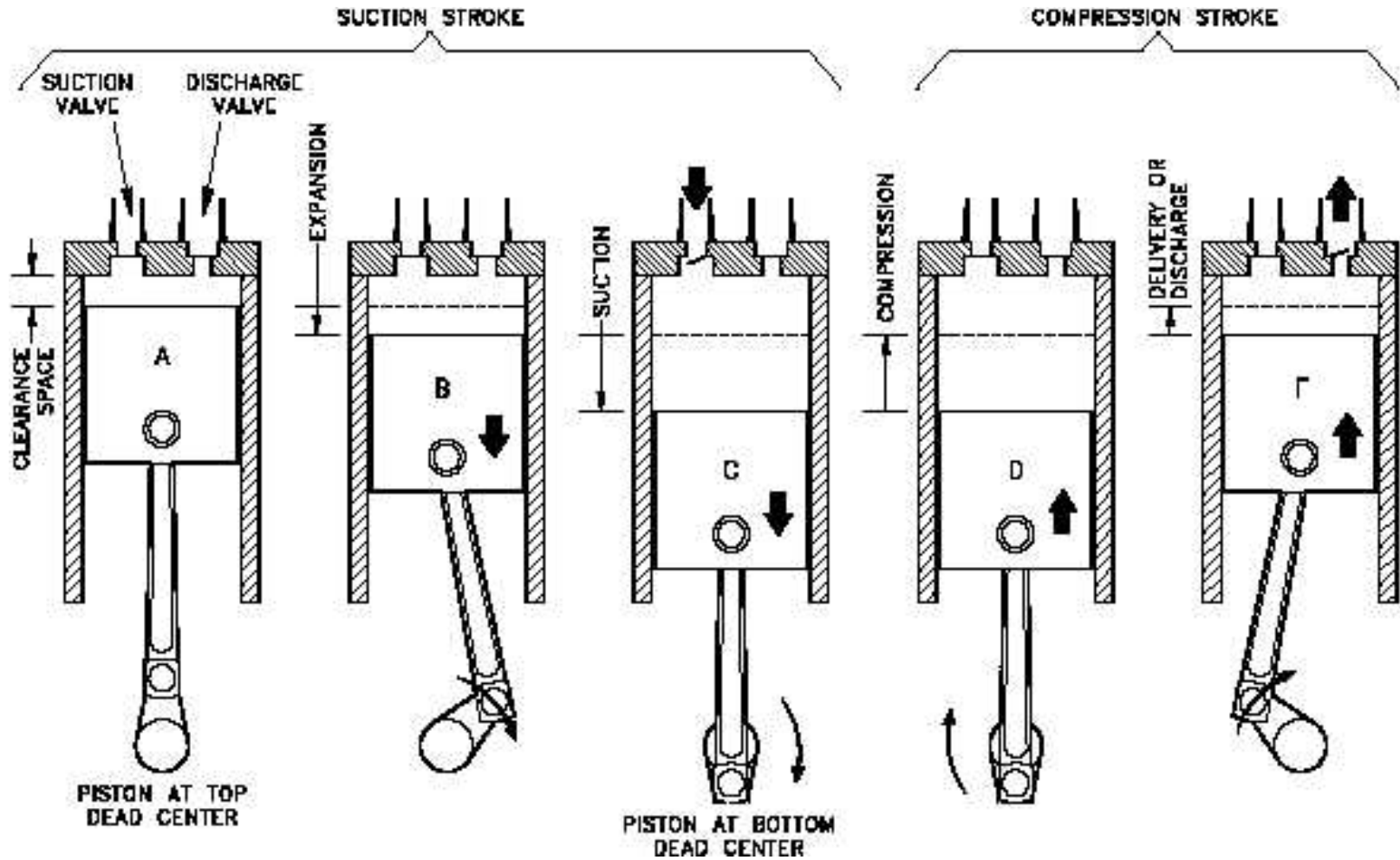


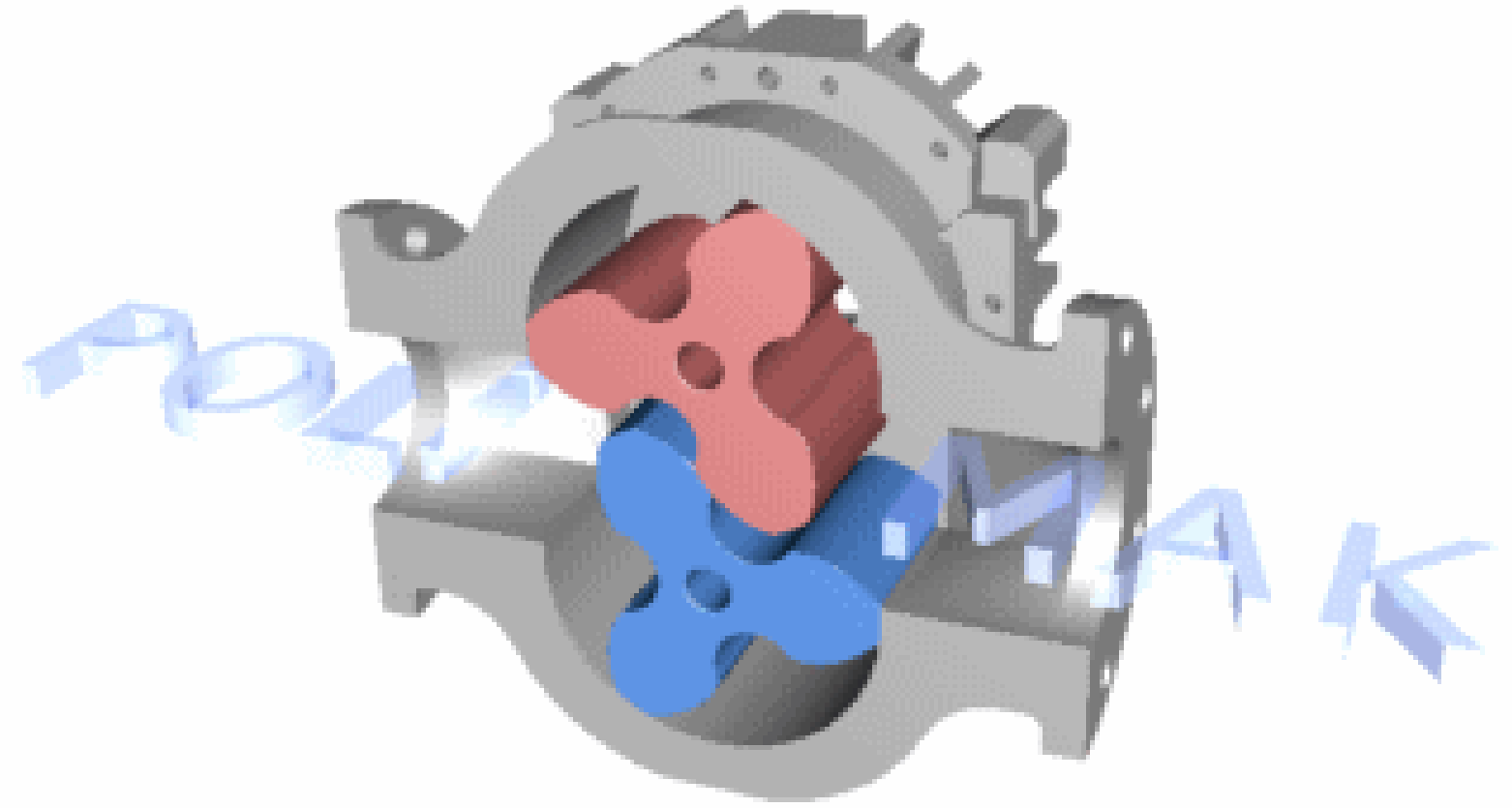
Compressore alternativo



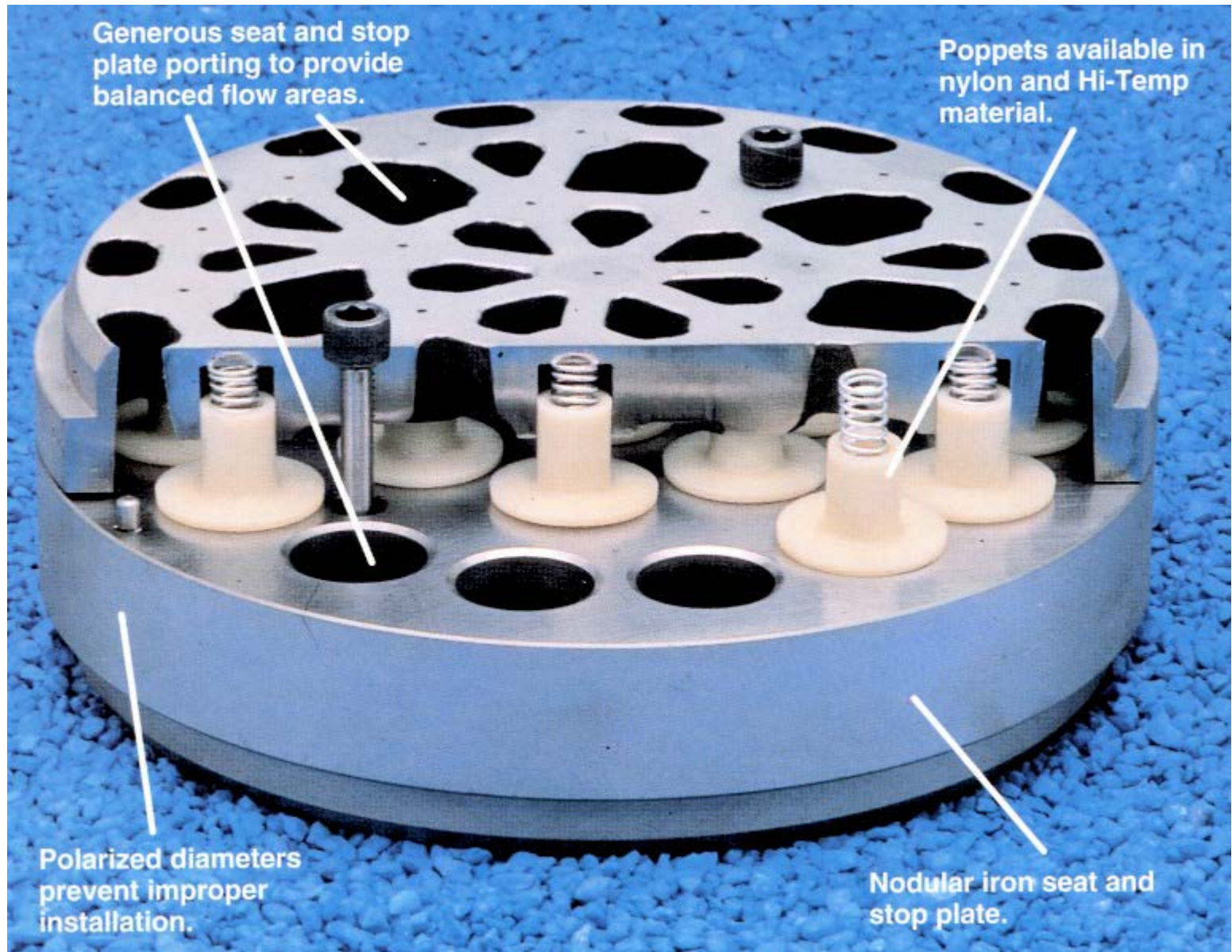
Compressore alternativo



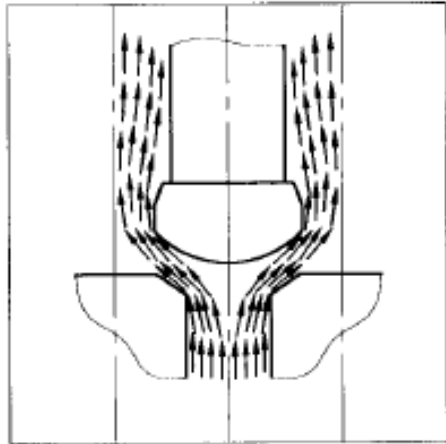
Compressore rotativo ROOTS



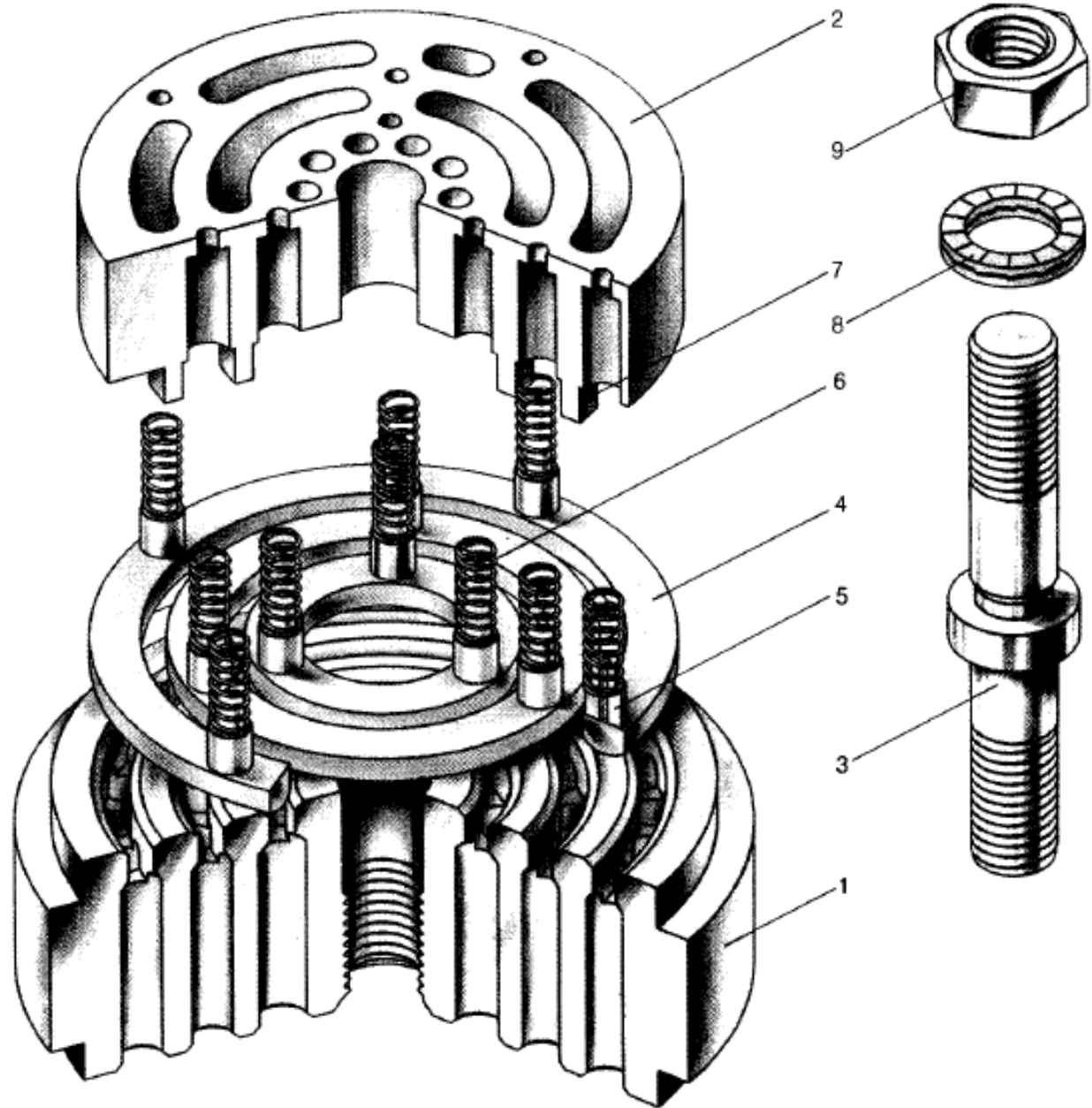
MACCHINE A FLUIDO



MACCHINA A FLUIDO



Aerodynamisches Strömungsprofil
Aerodynamic flow profile



Explosionsdarstellung des Hochdruckventils

- | | | |
|---------------|------------------------------|----------|
| 1 Ventilsitz | 2 Hubfänger | 3 Bolzen |
| 4 Ventilring | 5 Kappe | 6 Feder |
| 7 Zentrierung | 8 Keilsicherungs-
scheibe | 9 Mutter |

Exploded view of a high pressure valve

- | | | |
|--------------|-----------------|--------------|
| 1 Valve seat | 2 Valve guard | 3 Screw bolt |
| 4 Valve ring | 5 Cap | 6 Spring |
| 7 Centering | 8 Safety washer | 9 Nut |